

Metal
product



LAY-IN AXAL VECTOR
Square & rectangular tiles

Inspiring Great Spaces™

Armstrong®

LAY-IN AXAL VECTOR

SQUARE & RECTANGULAR TILES



SPECIFICATION

System	Armstrong ceiling system Axal Vector, Lay-In solution with semi-concealed grid 24 mm
Tile material	galvanised steel sheet 0.5 mm (0.6 mm for module 750 x 750 mm) (aluminium or further materials on request)
Coating	RAL 9010 pure white post-coated powder painted visible surface, other RAL or NCS colours on request
Execution*	square tile square edged
Gap solution	6 mm reveal detail, without gasket
Acoustic inlay	black non-woven acoustic fleece as standard. Other options available on request.
Standard modules	500 x 500 mm 600 x 600 mm 300 x 600 mm 675 x 675 mm 750 x 750 mm
Grid system	Prelude XL ² 24

Perimeter solution	range of standards trims in steel and aluminium plus custom bulkheads available
Service integration	standard round or rectangular cut-outs plus customized options on request



* For further information about the edge detail execution of metal tiles, please see the Metal Edge Detail Execution datasheet

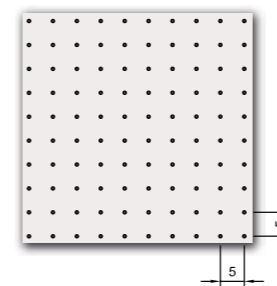
BENEFITS

- Can be installed with a very low void depth
- Clean crisp detailing with 6mm reveal
- Easy to install and remove without tools
- Downwardly accessible.
- Semi-concealed grid for a monolithic effect

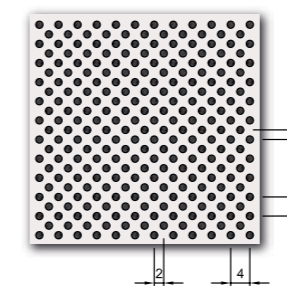
APPLICATION AREA

- Used in a variety of ceiling areas: from small service rooms to large commercial office buildings and major transportation terminals.

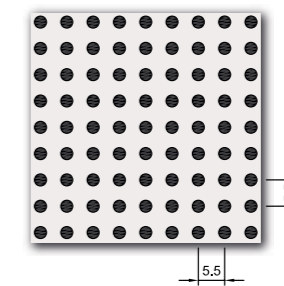
STANDARD PERFORATION PATTERNS



Extra Microperforation Rg 0701
Hole diameter: 0.7 mm
Free area: 1.5 %



Microperforation Rd 1522
Hole diameter: 1.5 mm
Open area: 22% with 20 mm plain border



Standard Perforation Rg 2516
Hole diameter: 2.5 mm
Open area: 16% with 20 mm plain border

ACOUSTIC PERFORMANCE

Metal ceiling systems have been tested for their acoustic performance of sound absorption. All perforated products can be supplied with a variety of factory fitted acoustic infill options. Please contact us for more information.

THERMAL CONDUCTIVITY

(λ) W/mK
50.0: Steel
0.04: Acoustic fleece

HUMIDITY EXPOSURE

Up to 95% RH (for short term exposure).

SERVICES INTEGRATION

Metal panels can be supplied with factory produced cut outs and apertures for the integration of building services equipment.

CLEANING

Dust should be removed from the painted surface by wiping with a clean soft cloth. More stubborn marks should be removed with a mild household detergent in warm water. Excessive use of water should be avoided. The use of abrasive cleaners of the painted surface is not recommended.

COLOURS

Standard colour

RAL 9010 20% gloss
Global White 12% gloss
RAL 9006 30% gloss
RAL 9007 30% gloss



Special colours

Other RAL and NCS colours available on request

QUALITY STANDARD

Armstrong is a certified **EN ISO 9001:2008** Quality Assumed Manufacturer. All Armstrong ceiling and grid systems are manufactured to the relevant tolerances and quality standards appropriate to material. Where differences exist between this and any expressed or implied architectural specifications or requirements then Armstrong's manufacturing standards will prevail unless stated otherwise.

ENVIRONMENTAL

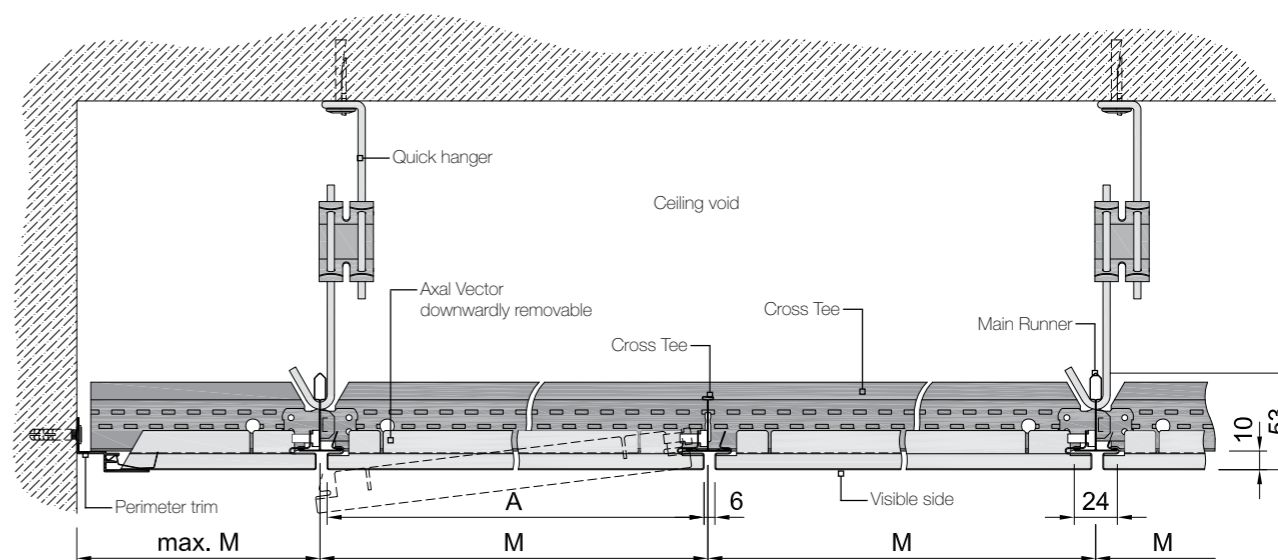
Our metal panels have an average of up to 30% recycling content. Our European manufacturing plants are certified to: **ISO 14001:2004 + Cor. 1:2009**
Armstrong is a member of TAIM (Technical Association of Industrial Metal Ceilings).

Sustainability		Acoustics						Safe & Healthy				
Recycled content (%)	Light reflectance (%)	α _w up to	Sound absorption class	NRC up to	Dncw / Dnfw (dB) up to	Rw (dB) up to	Fire reaction	Humidity Resistance (%) up to	Cleanability	Bioguard paint option	Scratch resistance	
ISO 14021												

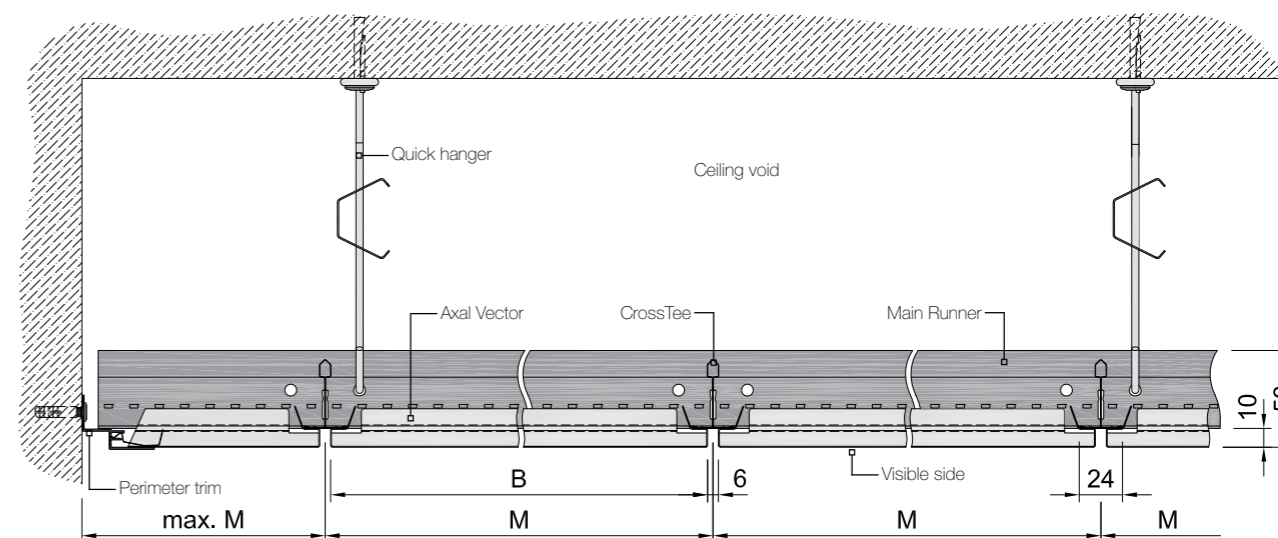
Ultra Microperforation Rg 0501 (1)	up to 30	83	0.45(L)	D	0.55	18	8	A1	95	scrubbable	✓	✓
Extra Microperforation Rg 0701 (2)	up to 30	80	0.55(L)	D	0.65	21	10	A2-s2, d0	95	wipeable moist cloth (3)	✓	✓
Microperforation Rd 1522 (2)	up to 30	65	0.70	C	0.70	16	6	A2-s2, d0	95	wipeable moist cloth (3)		✓
Standard Perforation Rg 2516 (2)	up to 30	70	0.75(L)	C	0.80	18	8	A2-s2, d0	95	wipeable moist cloth (3)		✓
Plain / Unperforated (1)	up to 30	85	0.10(L)	Not Classified	0.10	44	19	A1	95	scrubbable	✓	✓
Premium B15*	up to 30	depends on perforation	0.65	C	0.60	47	21	A2-s1, d0	95	wipeable moist cloth		✓
Premium OP19*	up to 30	depends on perforation	1.00	A	0.90	31	15	A2-s2, d0	95	wipeable moist cloth		✓

(1) RAL 9010 colour, without acoustic inlay. (2) RAL 9010 colour, with black acoustic fleece glued on rear. (3) Wipeable moist cloth for perforated tiles with fleece. Scrubbable for plain tiles or perforated tiles without fleece.
*Premium B15 and OP19 only available for Tegular 8 and Tegular 16, also some sizes of Tegular 2.

CROSS-SECTION AXIAL VECTOR

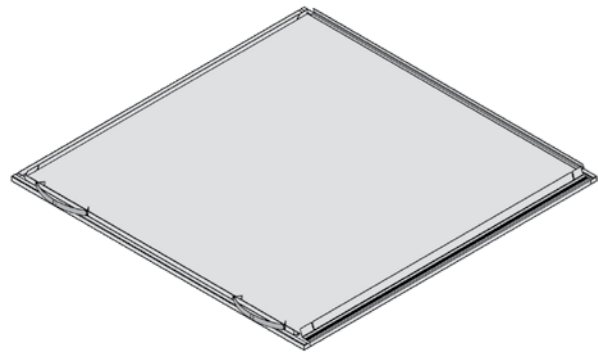


LONGITUDINAL-SECTION AXIAL VECTOR

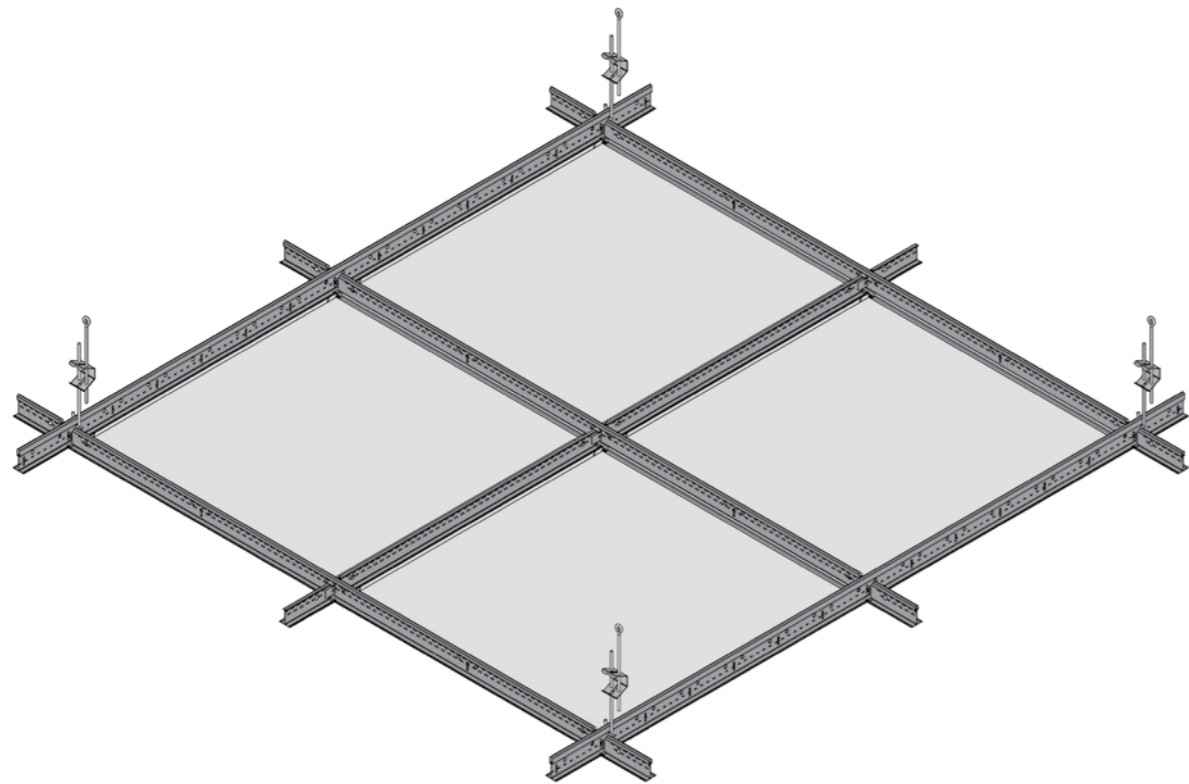
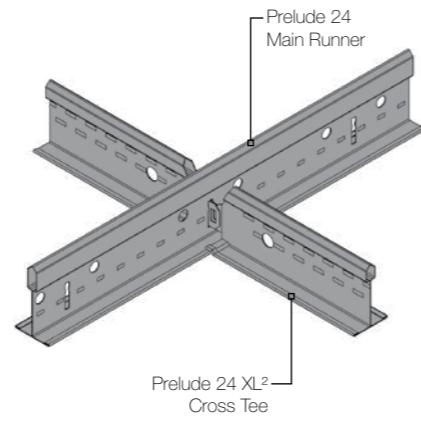


M = module size / A = tile length / B = tile width

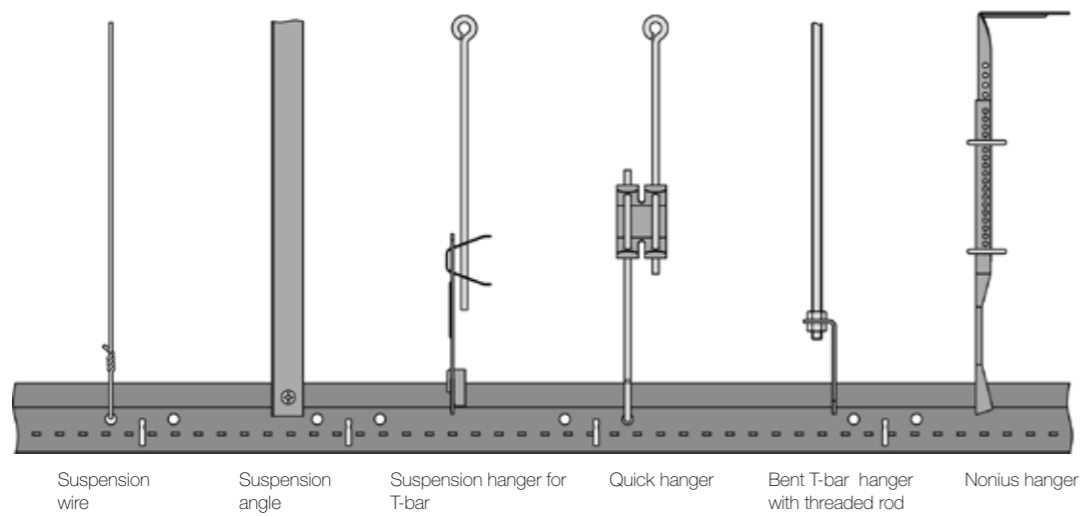
Detail A Axal Vector square tile



Detail B Prelude 24 XL² grid system



Detail C suspension methods



PROJECT: Aviva Stadium (IE) ::::: ARCHITECT: Scott Tallon Walker
SOLUTION: Axal Vector plain

WESTERN EUROPE

Belgium & Luxembourg

Armstrong Building Products B.V.
Bureaux Commerciaux Belgique
Postbus 3803
4800 DV Breda
Nederland
Tel.: (+32) 02 223 00 72
Fax: (+31) 076 521 04 07
e-mail: benelux-info@armstrong.com
www.armstrong-plafonds.be

Germany & Switzerland

Armstrong Building Products
Kundenservice
Office Building Quadrium
Claudius Prinsenlaan 126
4818 CP Breda
Niederlande
Tel.: (+49) 0251 7603 210
Fax: (+49) 0251 7603 593
e-mail: deutsche-info@armstrong.com
www.armstrong-decken.de
www.armstrong-decken.at
www.armstrong.ch

Armstrong Metalldecken AG
Breitfeldstrasse 8
9015 St. Gallen
Switzerland
Tel.: +41 (0) 71 313 63 63
Fax: +41 (0) 71 313 64 00

Zentralschweiz
Armstrong Metalldecken AG
Büro / Lager Zentralschweiz
Grossweid 9
CH-6026 Rain
Tel.: +41 (0) 41 921 63 63
Fax: +41 (0) 41 921 63 80

Suisse Romande
Armstrong Plafonds Métalliques SA
Bureau Suisse Romande
3, rue Gustave-Monynier
CH-1202 Genève
Tel.: +41 (0) 22 731 60 70
Fax: +41 (0) 22 731 60 74

Austria

Armstrong Metalldecken GmbH
Bundesstrasse 70
A-6830 Rankweil
Tel.: +43 (0) 55 22 34 44-0
Fax: +43 (0) 55 22 34 44-8

Armstrong Metalldecken GmbH
Messendorferstrasse 6
A-8041 Graz
Tel.: +43 (0) 31 64 71 584
Fax: +43 (0) 31 64 71 584-10

Spain & Portugal

Armstrong Building Products
Oficina de ventas España
C/ Caléndula, 95 – Miniparc II
Edificio "M" – Planta 1ª
Urb. El Soto de la Moraleja
28109 – Alcobendas Madrid
Tel.: (+34) 91 642 04 99
e-mail: info-espana@armstrong.com
www.armstrong.es/techos

France & French Speaking Africa

Armstrong Building Products SAS
Bureaux Commerciaux France
Immeuble Paryseine
3 Allée de la Seine
94854 Ivry-sur-Seine
Tel.: 0800 41 36 43
Fax: (+33) 1 45 21 04 11
e-mail: info-france@armstrong.com
www.armstrong.fr/plafonds

Siège social
Armstrong Building Products SAS
67 rue de Salins – CS 20089
25302 Pontarlier Cedex
France

Italy & Greece

Armstrong Building Products
Ufficio Commerciale Italia
Immeuble Paryseine
3 Allée de la Seine
94854 Ivry-sur-Seine
Francia
Tel.: (+39) 02 66 22 76 50
Fax: (+39) 02 66 20 14 27
e-mail: info-italia@armstrong.com
www.armstrong-soffitti.it
www.armstrong.eu

Netherlands

Armstrong Building Products B.V.
Verkoopkantoor Nederland
Postbus 3803
4800 DV Breda
Nederland
Tel.: (+31) 076 52 30 200
Fax: (+31) 076 521 04 07
e-mail: benelux-info@armstrong.com
www.armstrong.nl/plafonds

United Kingdom

Armstrong World Industries Ltd
Building Products Division
Armstrong House
38 Market Square
Uxbridge UB8 1NG
Tel.: 0800 371849
Fax: (+44) 1895 274287
e-mail: sales-support@armstrong.com
www.armstrong-ceilings.co.uk

Republic of Ireland

Armstrong World Industries Ltd.
108 Greenlea Road
Terenure
Co Dublin 6W
Ireland
Tel.: 1800 409002
Tel.: (+353) 1 499 1701
Fax: (+353) 1 490 7061
e-mail: sales-support@armstrong.com
www.armstrong-ceilings.ie

CENTRAL EUROPE NORTH

(DK/EE/FIN/IS/LT/LV/N/PL/S)

Armstrong Building Products BV
Sp. z o.o. Oddział w Polsce
ul. Domaniewska 37
02-672 Warszawa
Poland
Tel.: (+48) 22 337 86 10/ 86 11
Fax: (+48) 22 337 86 12
e-mail: service-ce@armstrong.com
Latvia: www.armstrong.lv
Lithuania: www.armstrong.lt
Norway: www.armstrong.no
Poland: www.armstrong.pl
Sweden: www.armstrong.se

CENTRAL EUROPE SOUTH

(AL/BA/BG/CZ/HR/HU/KO/MD/ME/MK/RO/RS/SK/SI)

Armstrong Building Products
Lighthouse building,
Jankovcova 1569/2c,
170 00 Praha 7,
Czech Republic
Tel.: +420 234 700 543
e-mail: service-ce@armstrong.com
Czech Republic: www.armstrong.cz
Hungary: www.armstrong.co.hu
Romania: www.armstrong.ro
Serbia: www.armstrong.rs
Slovakia: www.armstrong.sk
Slovenia: www.armstrong.si

EASTERN EUROPE

CIS

Armstrong Moscow GmbH
Park Place, office E502
113/1, Leninsky Prospekt
Moscow 117198
Russia
Tel.: (+7) 495 956 5100
Fax: (+7) 495 956 5101
e-mail: info-cis@armstrong.com
Russian Federation: www.armstrong.ru

MIDDLE EAST / AFRICA / TURKEY

Armstrong World Industries Ltd Africa Middle East Turkey Division

Armstrong House
38 Market Square
Uxbridge UB8 1NG
Tel.: (+44) 01895 202097
Fax: (+44) 01895 272928
e-mail: sales-support@armstrong.com
www.armstrong.eu
Israel: www.armstrong.co.il
South Africa: www.armstrong-ceilings.co.za

Dubai | United Arab Emirates

Armstrong World Industries JLT
Office No. 2003, 20th Floor
Gold Crest Executive Tower
Jumeirah Lakes Towers
P.O. Box 73831
Dubai, U.A.E.
info-me@armstrong.com
www.armstrong.ae

Turkey

Armstrong Europa GmbH
Mimar Sinan Mah. Mimar Sinan
35/2 Cekmekoy
Istanbul
Türkiye
Gsm: +90 542 772 49 22
Gsm: +90 544 293 5931
www.armstrong.com.tr
etulpar@armstrong.com